

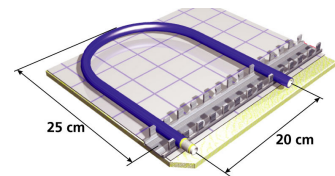
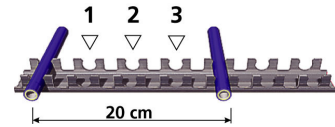
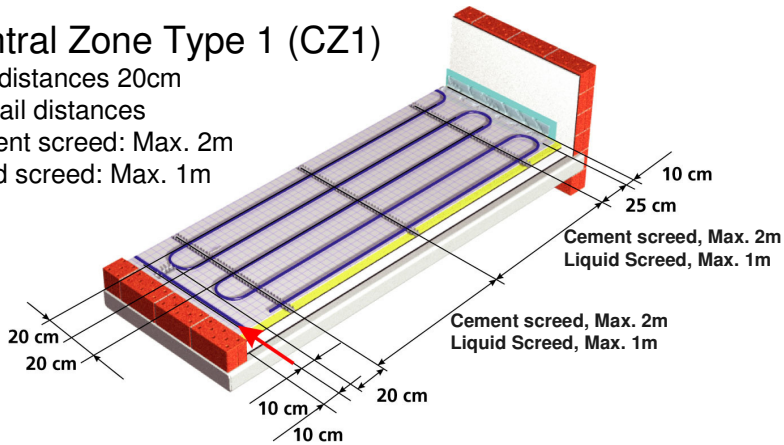
INSTALLATION GUIDE

System STANDARD – CENTRAL ZONE (CZ)



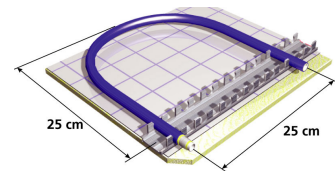
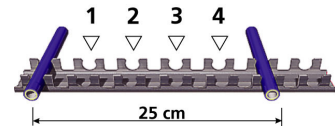
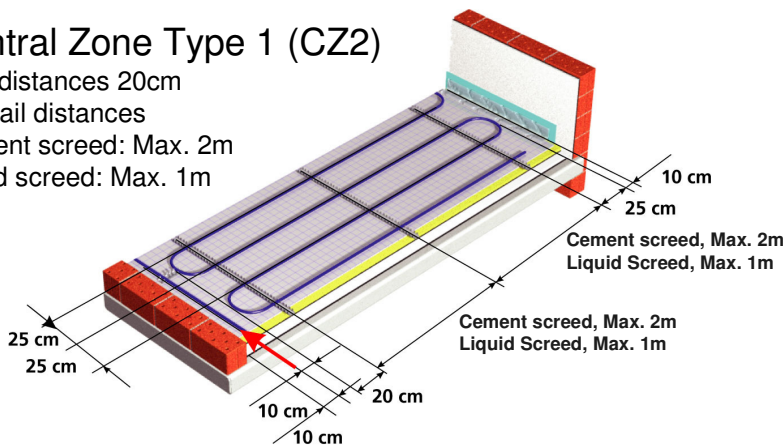
Central Zone Type 1 (CZ1)

Pipe distances 20cm
Clip rail distances
Cement screed: Max. 2m
Liquid screed: Max. 1m



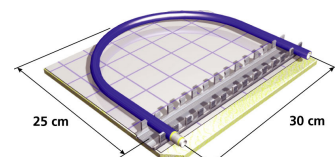
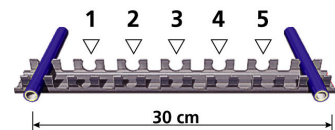
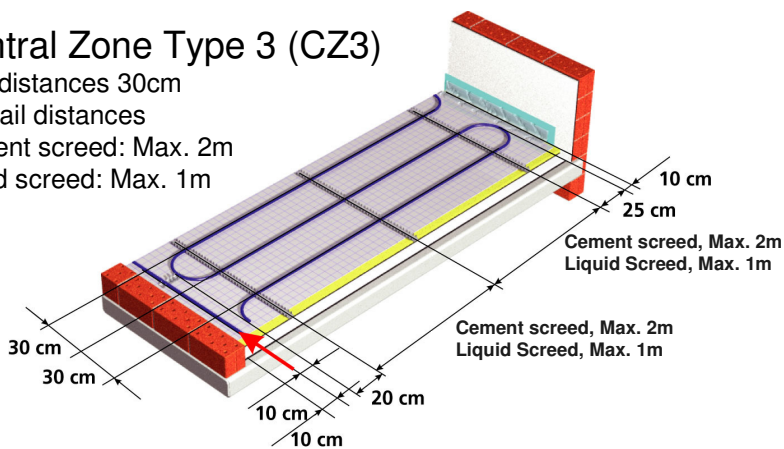
Central Zone Type 1 (CZ2)

Pipe distances 20cm
Clip rail distances
Cement screed: Max. 2m
Liquid screed: Max. 1m



Central Zone Type 3 (CZ3)

Pipe distances 30cm
Clip rail distances
Cement screed: Max. 2m
Liquid screed: Max. 1m



JUPITER



Rev. 06.12.2007
© JUPITER UFH 2007

© 2008 JUPITER Heating Systems Limited
T: 01276 859 066 info@jupiter-system.com

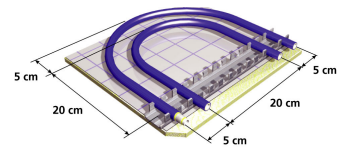
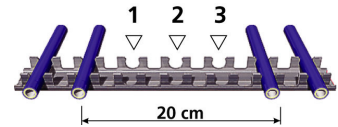
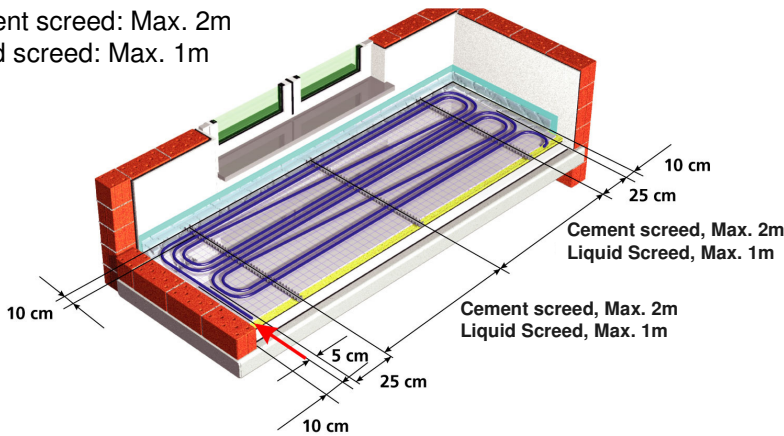
INSTALLATION GUIDE

System STANDARD – EDGE ZONE (EZ)



Edge Zone Type 1 (EZ1)

Pipe distances 8.8cm
 Clip rail distances
 Cement screed: Max. 2m
 Liquid screed: Max. 1m



Central Zone Type 3 (CZ3)

Pipe distances 30cm
 Clip rail distances
 Cement screed: Max. 2m
 Liquid screed: Max. 1m

